

# PROSTOR P8 - CENTER POLE PARASOL

EASE OF USE WITH INTEGRATED LED LIGHTING







# PROSTOR P8



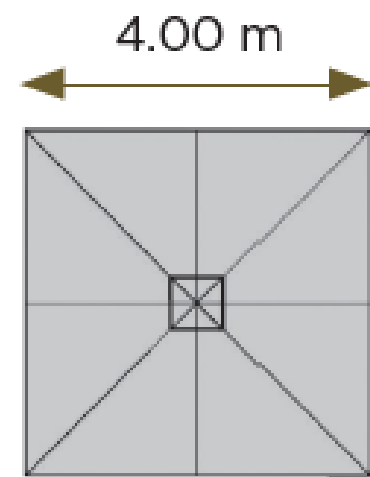
- /// Easy opening in 5 sec – one move system
- /// Elegant design
- /// Unique integrated LED lights
- /// Durable aluminum parts
- /// All parts are replaceable



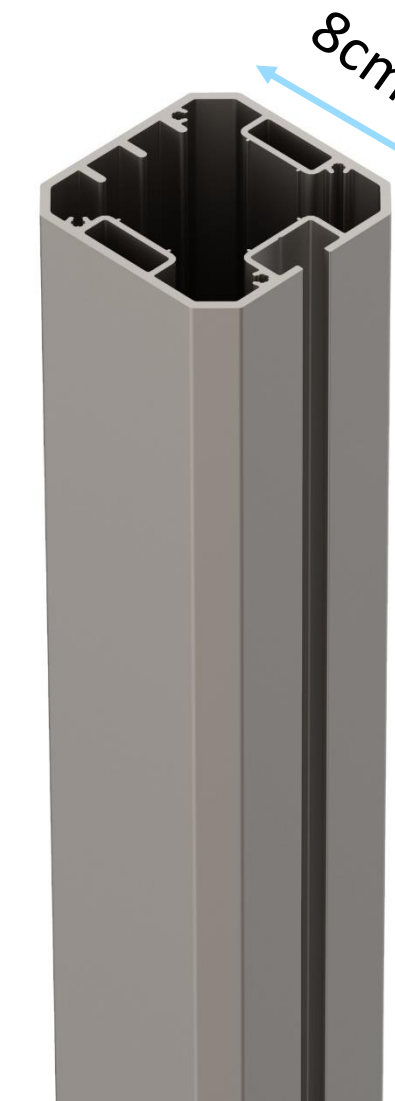


# PROSTOR P8

SQR



**RAL 9007**  
Grey texture  
finishing



## Easy operation



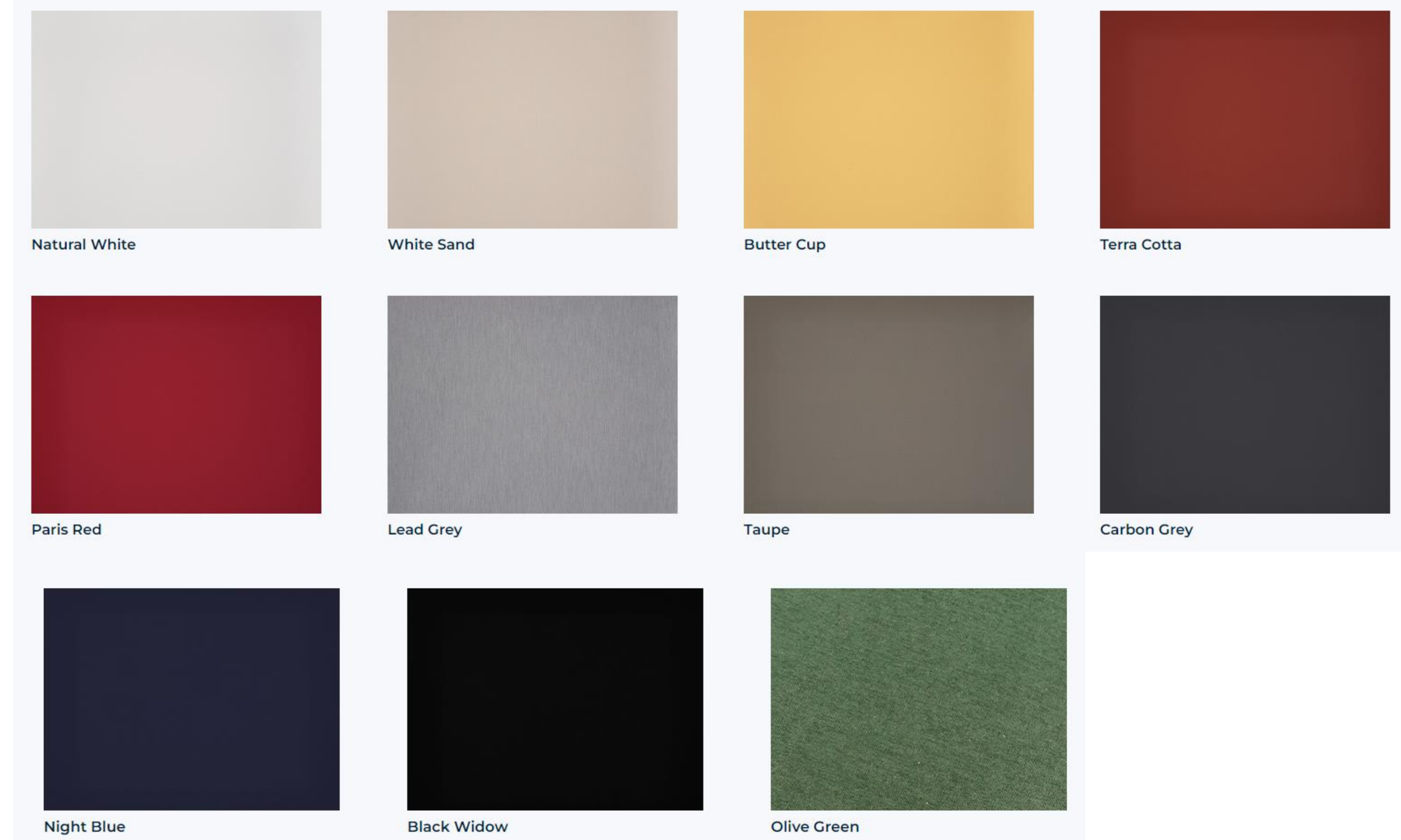
During the design of the P8 the usability was very important. The P8 is very light to handle because of a gliding movement. Even the table and chairs can remain during opening and closing the P8 umbrella.





# PROSTOR P8: FINISHING & FABRIC

## STANDARD RANGE



Colour retention

- /// Acryl: 100% solution-dyed
- /// Weight: **290g/m<sup>2</sup>**
- /// Colourfastness: 7-8/8
- /// Waterproof: >300 mm water column
- /// Maintenance: all fabrics can be washed and replaced

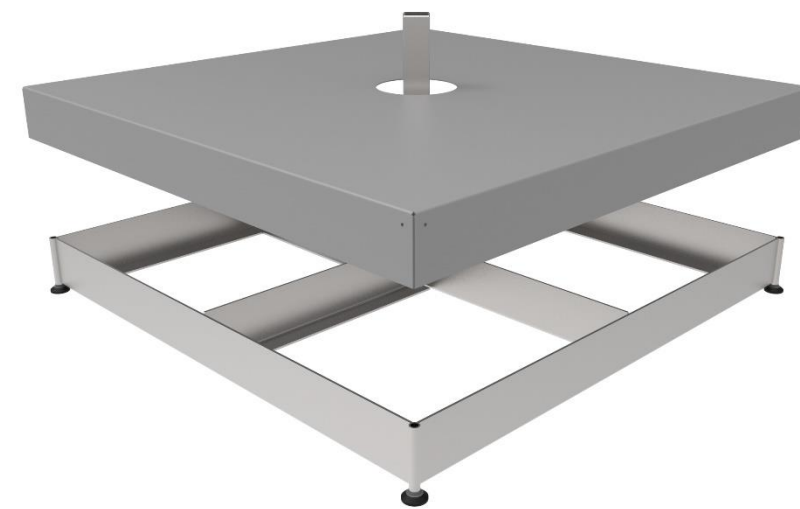
## PREMIUM RANGE



- /// Acryl: 100% solution-dyed
- /// Weight: **320g/m<sup>2</sup>**
- /// Colourfastness: 7-8/8
- /// Waterproof: >360 mm water column
- /// Maintenance: all fabrics can be washed and replaced



# PROSTOR P8

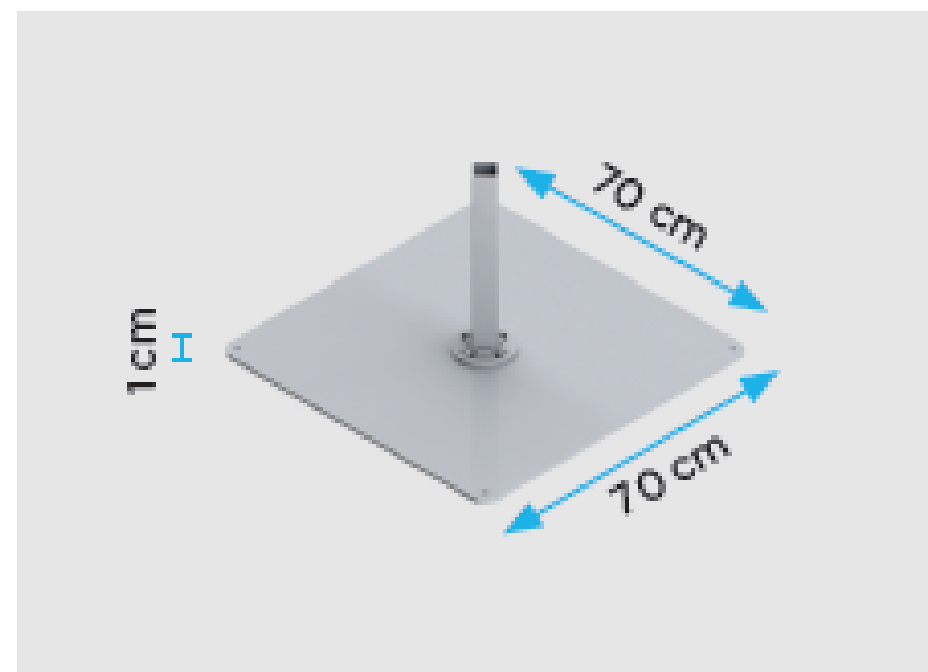


## Steel base with alu cover

80 x 80 x 12cm

With 12 tiles: 212 kg

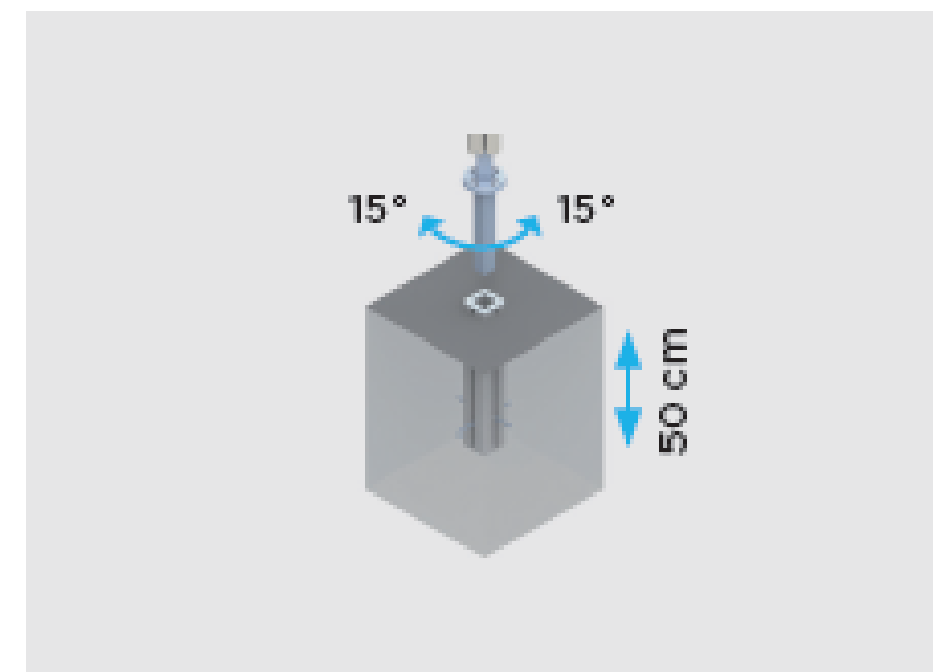
Does not include tiles (height tiles 4cm)



## Floor plate must be chemical anchored.

Weight: 38 kg

Fixing materials not included



## Adjustable ground anchor.

Recommended to align multiple sets of P8, it gives you up to 15° tolerance to the left and right.





# PROSTOR P8: ACCESSORIES



Per set of 2 heaters,  
brackets included



Incorporated in the spokes













